

TEAM BUILDING, WITH BITE

Primate Hanger V2

This feeding device challenges balance and coordination while foraging.

This enrichment device has been successfully implemented with: Howler monkeys, B&W colobuses, and Javan langurs.

Items needed:

- ~75-80mm wooden logs (chestnut or larch fence posts)
- x18 6 x 90mm coach screws
- x1 8 x 100mm eyebolt
- M10-M16 threaded rod (depending on weight of targeted species)
- x2 M10-M16 lock nuts
- x12 M10-M16 washers
- x12 M10-M16 nuts
- Hammer and chisel
- Handsaw
- Drill with bits
- Augur bit
- Sandpaper
- Measuring tape
- Pencil

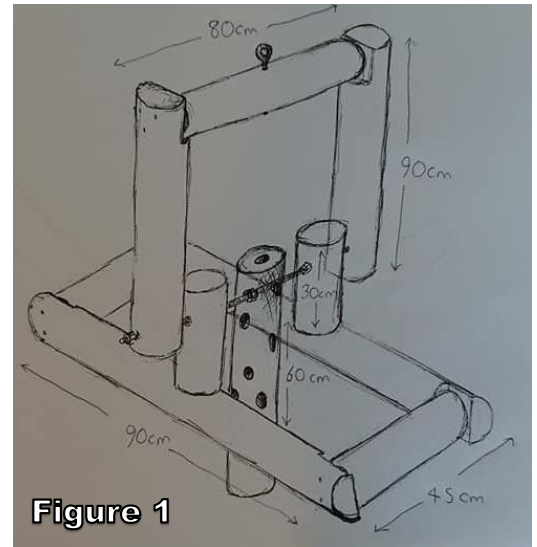


Figure 1

Safety concerns:

- Ensure all wooden parts are thoroughly sanded.
- Secure the double nuts to prevent entrapment from movement of the swinging component.
- **This device should be implemented as part of a goal-focused enrichment program. Individual animal characteristics should be fully considered before trialing.**

Directions:

1. Measure length of pieces and cut wood to size, as seen as Figure 1. You will need:
 - x1 80 cm
 - x1 60 cm
 - x4 90 cm
 - x2 30 cm
 - x2 45 cm
2. To make the pieces fit neatly together, you will need to cut notches in the ends of some of the pieces (see Figure 2). Measure the diameter of the wood to determine how wide the notches should be. These notches should be made on one end of two of the 90cm pieces and both ends of the other two 90cm pieces.
3. Attach the one-notched 90cm pieces to the 80cm piece using three coach screws each (see Figure 1). Drill pilot holes for each screw to avoid splitting the wood.



Figure 2

TEAM BUILDING, WITH BITE

4. On the remaining 90cm pieces, cut a notch in the center of each to fit the base of the 30cm pieces (see Figure 3). Make sure these are centered or else the swing will end up lopsided. Attach the 30cm pieces to the center and the 45 cm pieces to either end, using three coach screws each.
5. Drill holes through the pieces to fit the rod, as seen in Figure 1.
6. To make the central feeder, use an augur bit to drill down through the center of the 60cm log. Mark where the augur bit ends on the outside as a guide for where the outer holes should end. Using spade bits, drill diagonal holes throughout the structure above this line that align with the central hole.
7. Thread the rod through the 60 cm piece. Secure loosely into place with washers and nuts (see Figure 4). Continue with the 30 cm and 90 cm pieces, securing with double nuts and washers between each piece to prevent movement.
8. Drill an 8mm hole all the way through the center of the top 90 cm piece and insert the eye bolt, securing with a washer and nut.

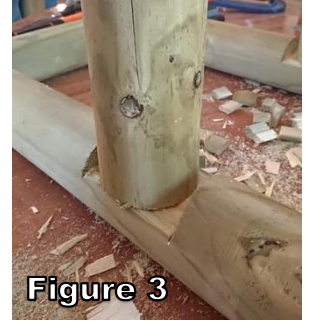


Figure 3



Figure 4

Video links of the device in action:

<http://bit.ly/PrimateHangerV2Howlers>

We'd love to see your animals in action! Send pictures or videos of your animals using this device to Mark@teambuildingwithbite.co.uk

